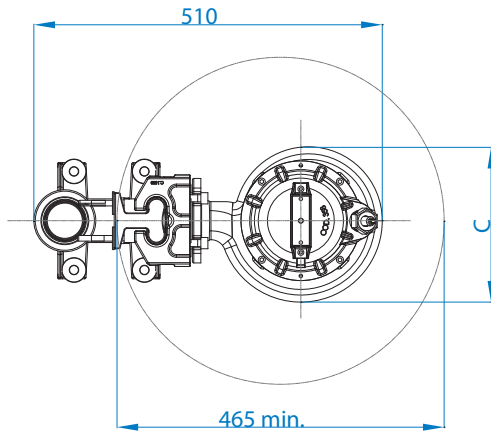

 Sommergenza minima
 Minimum submersion



DN32 PN6
 ex UNI 2278
 G 2"

